

# Antenna Installation Instructions

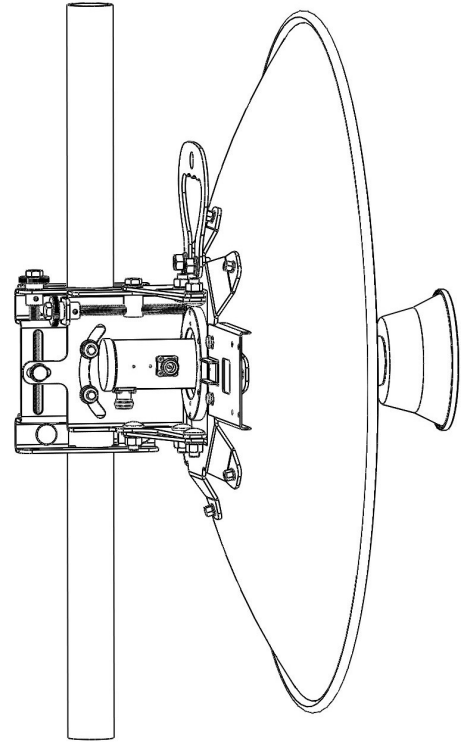
Part Number: HW4555-28.5D-HP

## Description



This antenna consists of a 0.6 m reflector, feeder and antenna mounting bracket. The mounting bracket is designed for installation on vertical pipe of diameter 35mm to 75mm. The precise antenna mounting bracket provides adjustment ranges of  $\pm 19^\circ$  fine elevation and  $\pm 11^\circ$  fine azimuth. Unique feature of honorwave mounting bracket is the "Radio Installation Plate". This plate makes it easy to align antenna while radio is installed on the mount.

## Notice

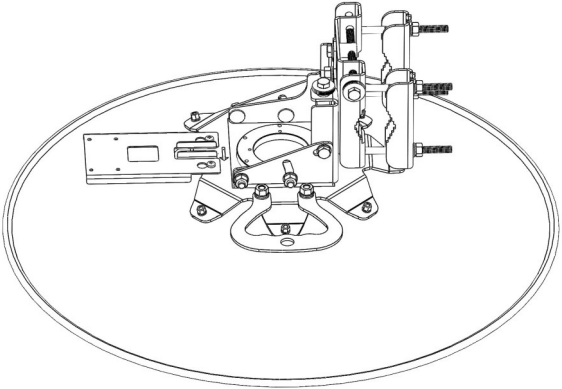
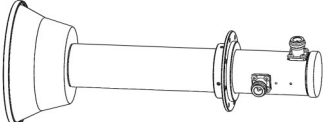
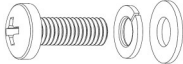
The installation, maintenance or removal of antenna systems requires qualified, experienced personnel. This installation instructions have been written for such personnel. Antenna systems should be inspected once a year by qualified personnel to verify proper installation, maintenance, and condition of equipment. Honorwave disclaims any liability or responsibility for the results of improper or unsafe installation practices.



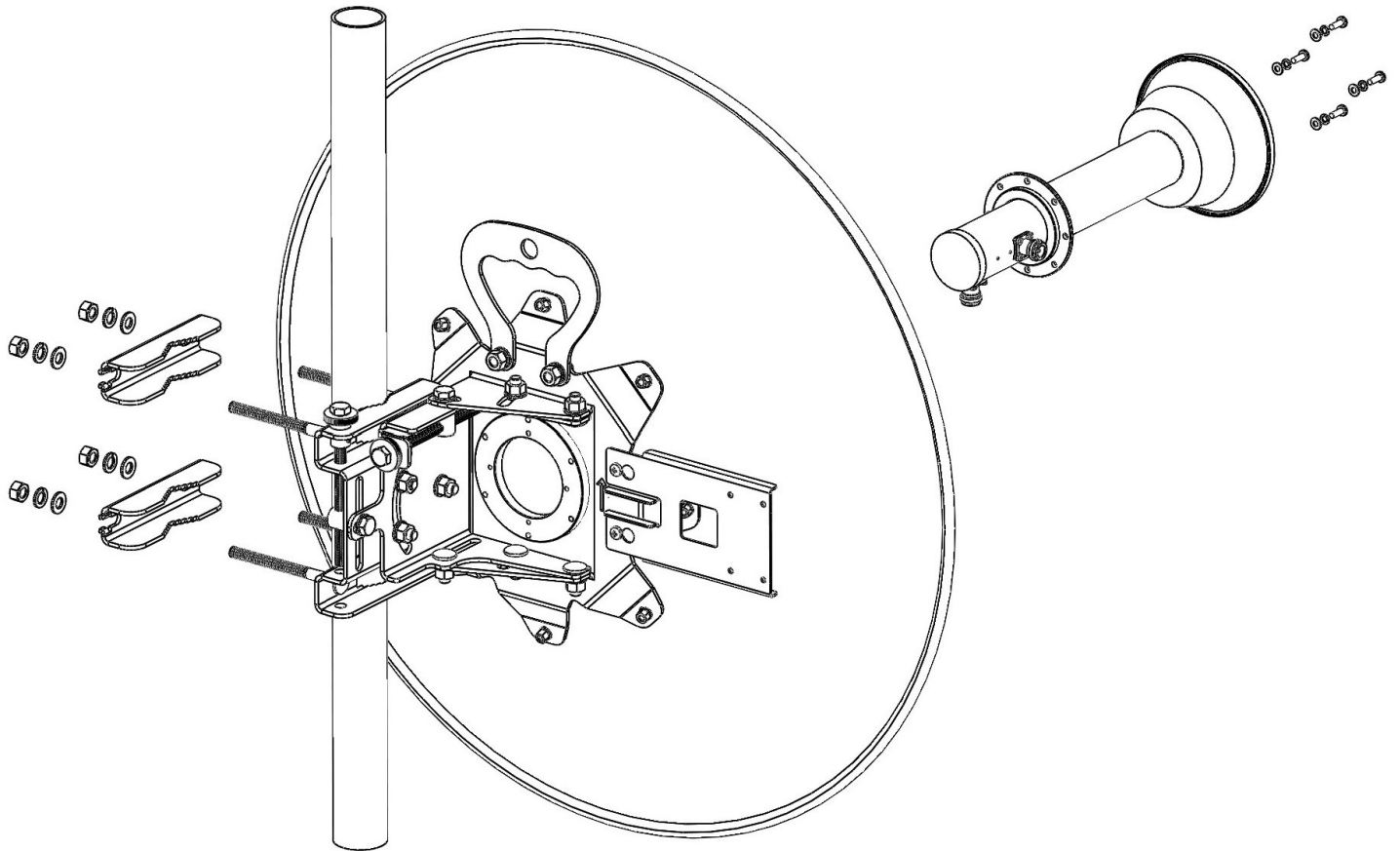
## Tools Required

| Item | Contents                  | Qty | Image   |
|------|---------------------------|-----|---|
| 1    | Combination Wrench, 13mm  | 1   |  |
| 2    | Screwdriver, cross-recess | 1   |  |

## Part List

| Item | Contents                  | Qty | Description / Image   |
|------|---------------------------|-----|---|
| A    | Reflector 0.6m & Mounting | 1   |                     |
| B    | Feeder                    | 1   |                     |
| C    | Screw M4x12, Cross, st    | 4   | Feed to Reflector  |
| D    | Spring Washer M4, st      | 4   |   |
| E    | Washer M4, st             | 4   |   |
| F    | Installation Guide        | 1   |   |

## Installation



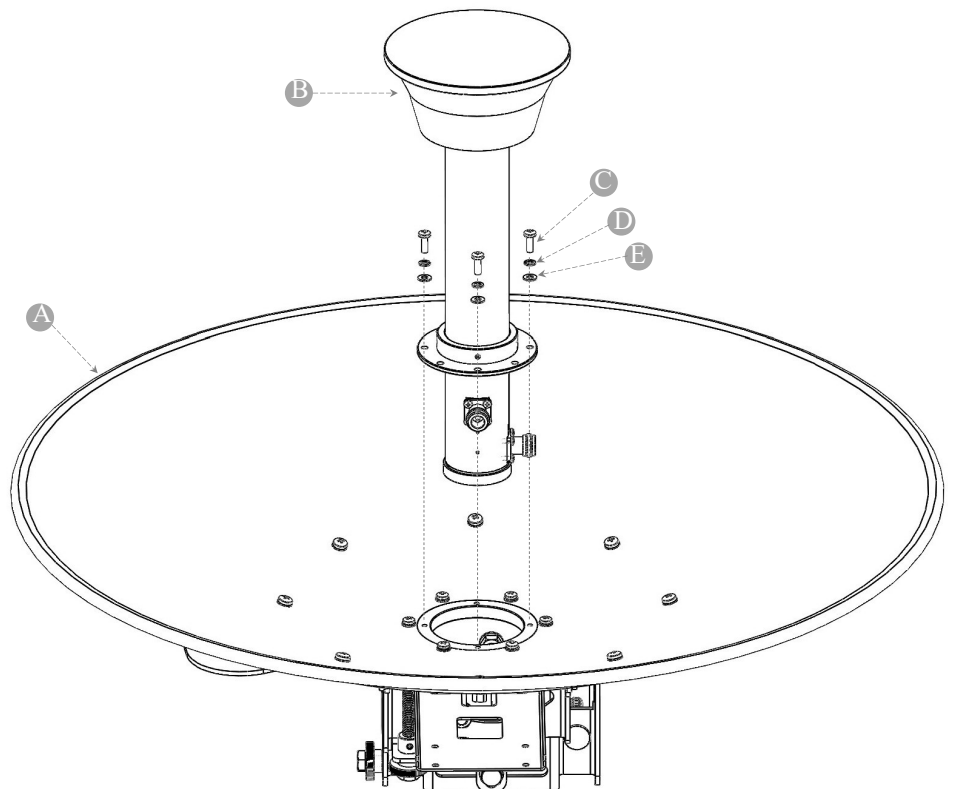
### 1 Install Feed to Reflector

Install Feed [B] to Reflector [A] by:

[C] Screw M4x12; 4 pcs

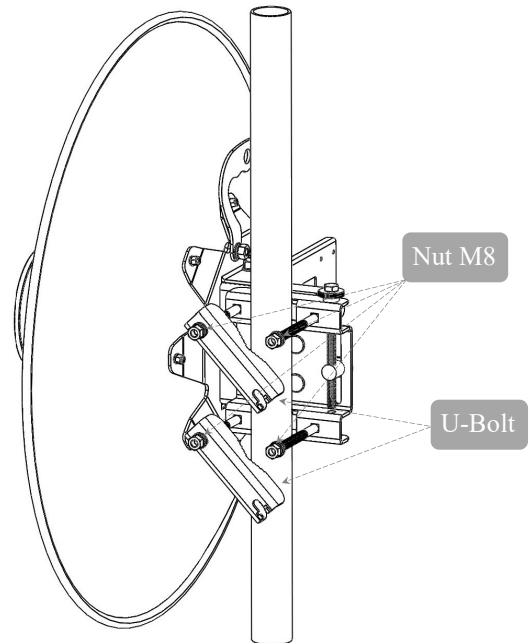
[D] Spring Washer M4; 4 pcs

[E] Washer M4; 4 pcs



## 2 Attach Antenna to Mounting Pole

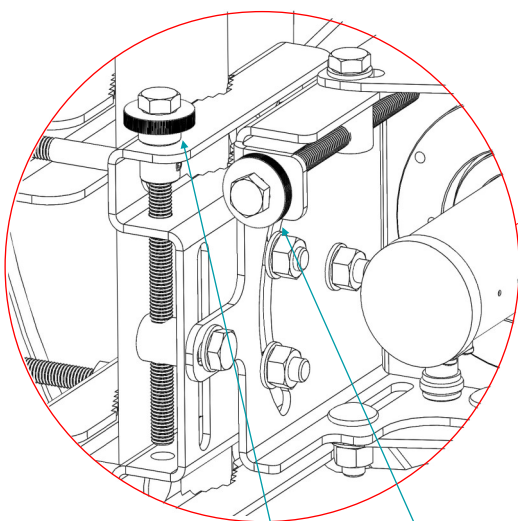
Follow the picture to attach antenna to mounting pole then place the U-bolts on the M8x120 Screws and tighten M8 nuts.



## 3 Adjust Azimuth and Elevation

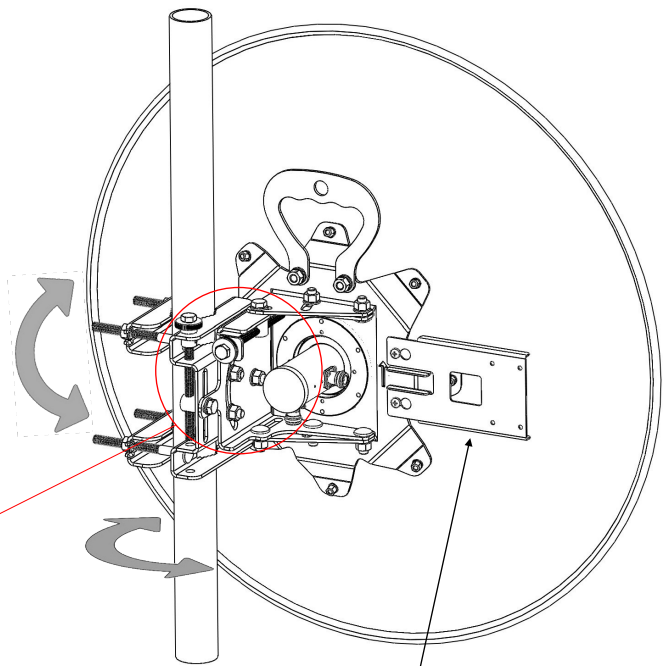
After an approximate alignment, both elevation and azimuth could be precisely adjusted by tightening/loosening the elevation and azimuth screws shown in picture.

When azimuth/elevation are set, tighten all nuts to approximately 14N-m (10 lb-ft).



Elevation Adjustment Screw

Azimuth Adjustment Screw



Important:  
The Radio Installation Plate on the Mounting bracket is to install radio box .

## TECHNICAL DATA SHEET

### General Specifications

|                 |                                |
|-----------------|--------------------------------|
| Model Number    | HW4555-28.5D-HP                |
| Diameter (ft/m) | 2/0.6                          |
| Polarization    | Dual (Vertical and Horizontal) |

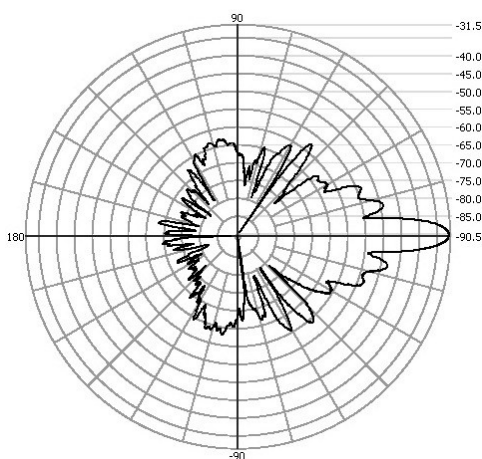
### Electrical Specifications

|                        |                               |
|------------------------|-------------------------------|
| Input                  | 2 × N-Female                  |
| Frequency Range (MHz)  | 4.5 GHz to 5.5 GHz            |
| VSWR                   | 1.4:1                         |
| Impedance ( $\Omega$ ) | 50                            |
| Gain (dBi)             | 28.5                          |
| 3dB Beamwidth          | H-plane: 5.4° / E-plane: 5.4° |
| F/B Ratio (dB)         | 40                            |

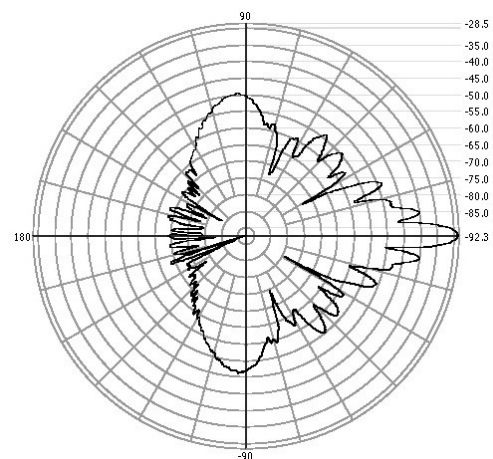
### Mechanical Specifications

|                              |                 |
|------------------------------|-----------------|
| Weight With Holder (kg)      | 5 kg            |
| Color                        | Golden          |
| Screws and Nuts              | Galvanized      |
| Fine Azimuth Adjustment      | $\pm 11^\circ$  |
| Fine Elevation Adjustment    | $\pm 19^\circ$  |
| Wind Loading (km/h)          | 200             |
| Operating Temperature        | -40 °C to 60 °C |
| Supportable Comparative Damp | 90%             |

### Patterns



E-Plane



H-Plane

For further technical support leave message at

E-mail: [support@honorwave.com](mailto:support@honorwave.com)

whatsapp: +964 770 607 7724 8 A.M - 5 P.M (GMT+3)

All messages will be answered in 2 working days.