

# Antenna Installation Instructions

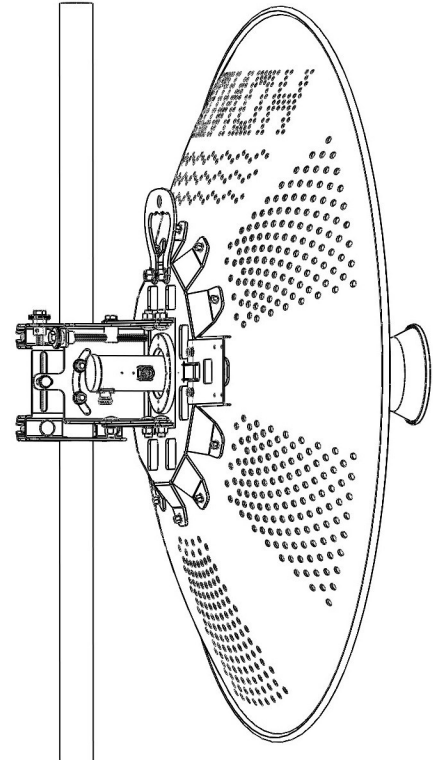
Part Number: HW5565-33D-HP

## Description



This antenna consists of a reflector, feeder and a n - t e n n a mounting bracket. The mounting bracket is designed for installation on vertical pipe of diameter 35mm to 75mm. The precise antenna mounting bracket provides adjustment ranges of  $\pm 19^\circ$  fine elevation and  $\pm 11^\circ$  fine azimuth. Unique feature of honorwave mounting bracket is the "Radio Installation Plate ". This plate makes it easy to align antenna while radio is Installed on the mount.

## Notice

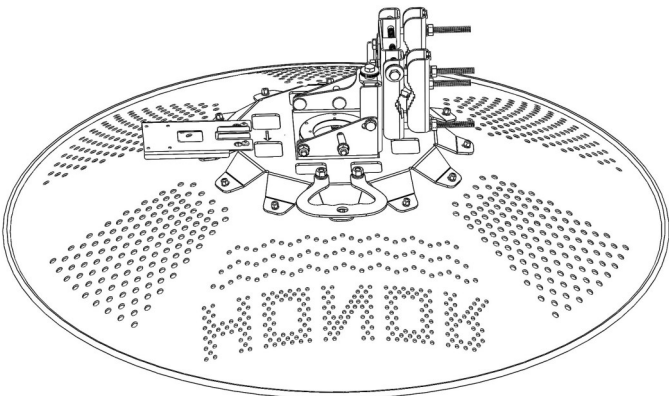
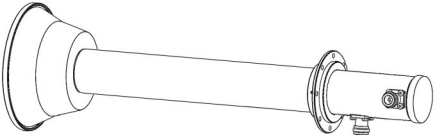
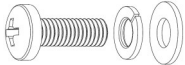
The installation, maintenance or removal of antenna systems requires qualified, experienced personnel. This installation instructions have been written for such personnel. Antenna systems should be inspected once a year by qualified personnel to verify proper installation, maintenance, and condition of equipment. Honorwave disclaims any liability or responsibility for the results of improper or unsafe installation practices.



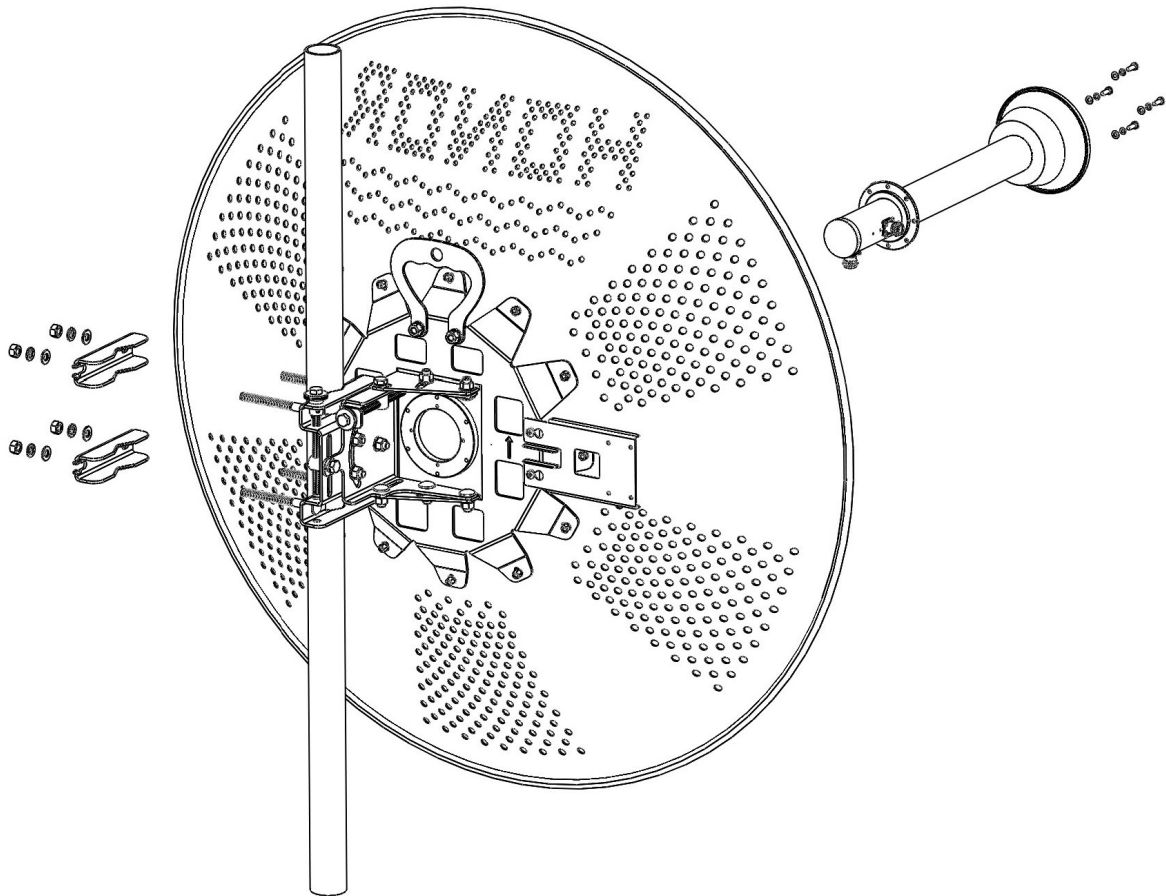
## Tools Required

Item	Contents	Qty	Image
1	Combination Wrench, 13mm	1	
2	Screwdriver, cross-recess	1	

## Part List

Item	Contents	Qty	Description / Image
A	Reflector 0.9m (3ft) & Mounting	1	
B	Feeder	1	
C	Screw M4x12, Cross, st	4	Feed to Reflector 
D	Spring Washer M4, st	4	
E	Washer M4, st	4	
F	Installation Guide	1	

## Installation



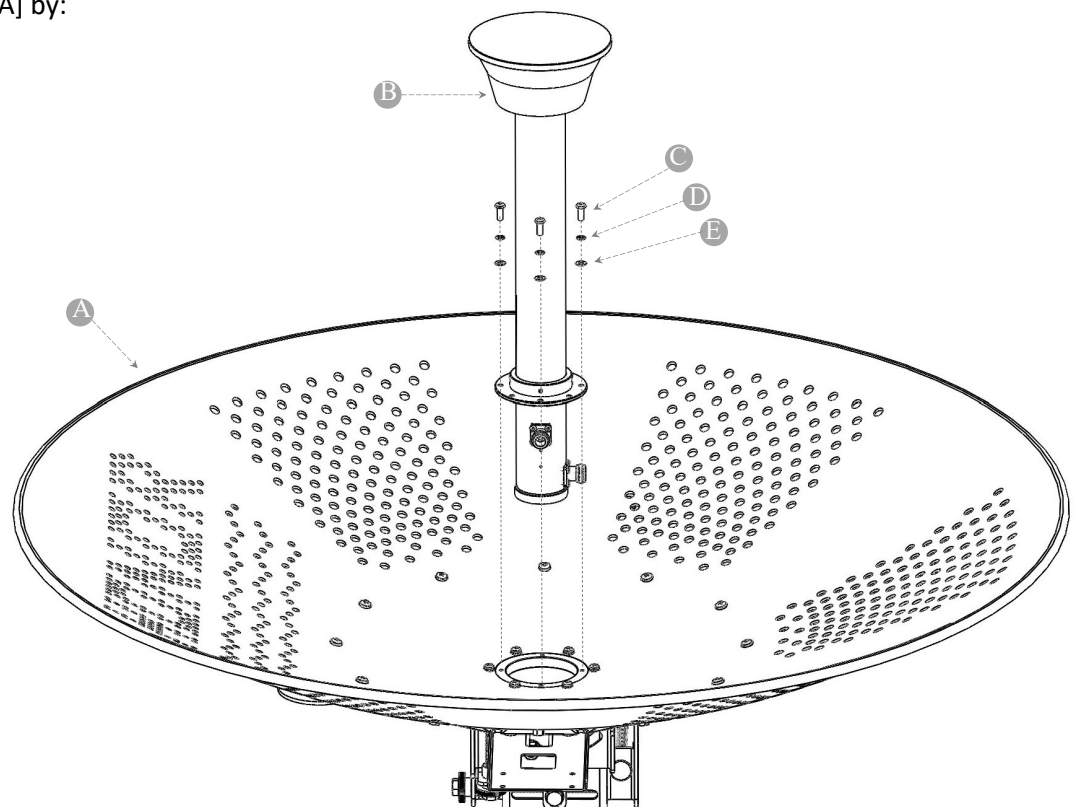
### 1 Install Feed to Reflector

Install Feed [B] to Reflector [A] by:

[C] Screw M4x12; 4 pcs

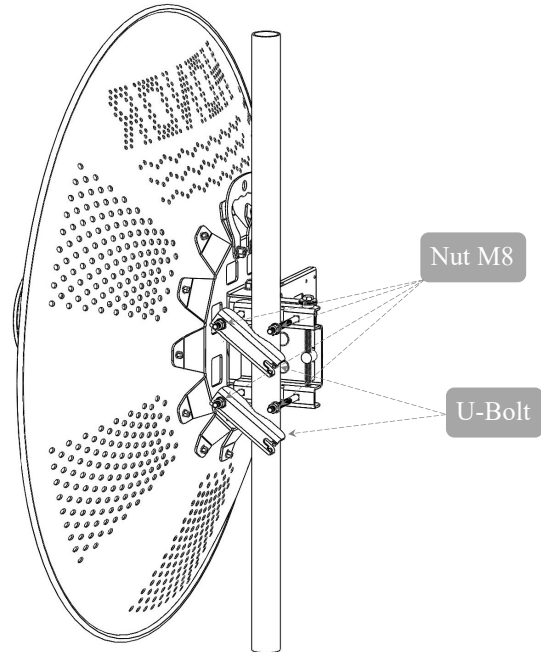
[D] Spring Washer M4; 4 pcs

[E] Washer M4; 4 pcs



## 2 Attach Antenna to Mounting Pole

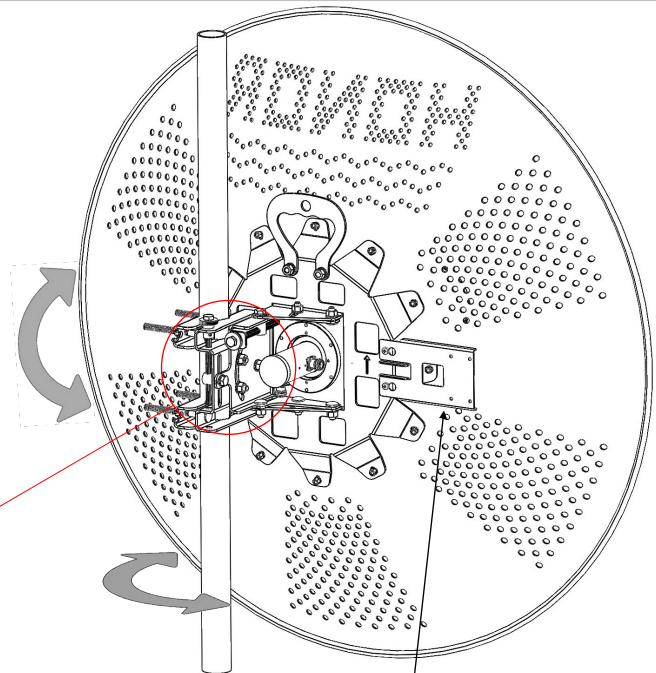
Follow the picture to attach antenna to mounting pole then place the U-bolts on the M8x120 Screws and tighten M8 nuts.



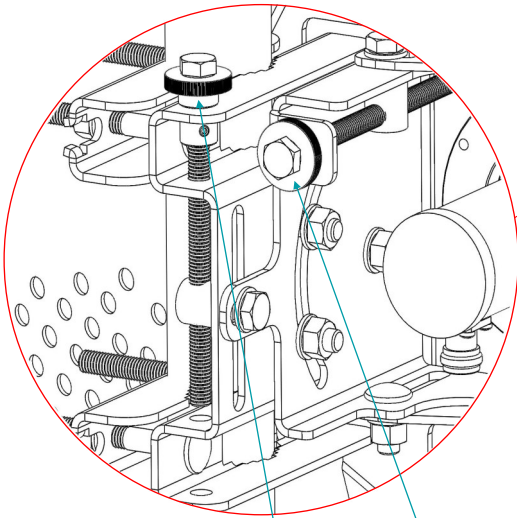
## 3 Adjust Azimuth and Elevation

After an approximate alignment, both elevation and azimuth could be precisely adjusted by tightening/loosening the elevation and azimuth screws shown in picture.

When azimuth/elevation are set, tighten all nuts to approximately 14N-m (10 lb-ft).



**Important:**  
The Radio Installation Plate on the Mounting bracket is to install radio box.



Elevation Adjustment Screw

Azimuth Adjustment Screw

## TECHNICAL DATA SHEET

### General Specifications

Model Number	HW4961-33D-HP
Diameter (ft/m)	3/0.9
Polarization	Dual (Vertical and Horizontal)

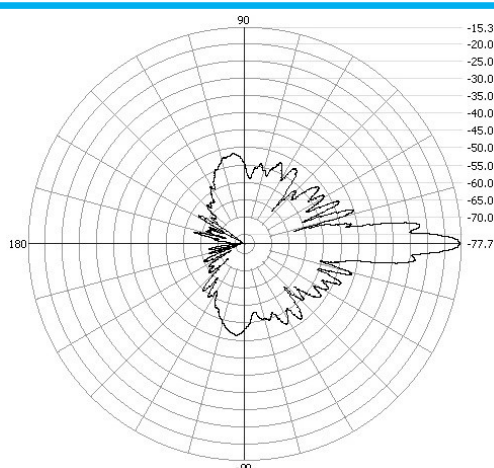
### Electrical Specifications

Input	2 × N-Female
Frequency Range (MHz)	5 GHz ISM Band up to 6.5GHz
VSWR	1.4:1
Impedance ( $\Omega$ )	50
Gain (dBi)	33
3dB Beamwidth	H-plane: 3.3° / E-plane: 3.3°
F/B Ratio (dB)	37

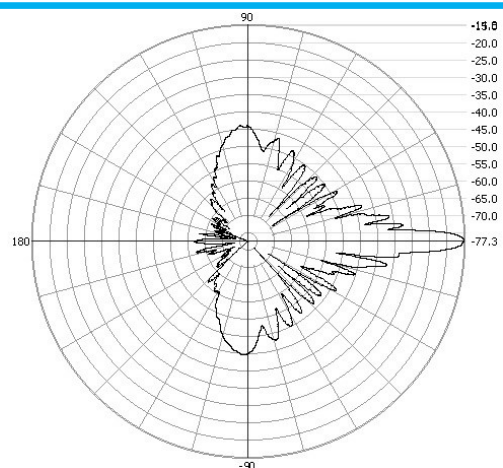
### Mechanical Specifications

Weight With Holder (kg)	9.5 kg
Color	Golden
Screws and Nuts	Galvanized
Fine Azimuth Adjustment	$\pm 11^\circ$
Fine Elevation Adjustment	$\pm 19^\circ$
Wind Loading (km/h)	200
Operating Temperature	-40 °C to 60 °C
Supportable Comparative Damp	90%

### Patterns



E-Plane



H-Plane

For further technical support leave message at

E-mail: [support@honorwave.com](mailto:support@honorwave.com)

whatsapp: +964 770 607 7724 8 A.M - 5 P.M (GMT+3)

All messages will be answered in 2 working days.